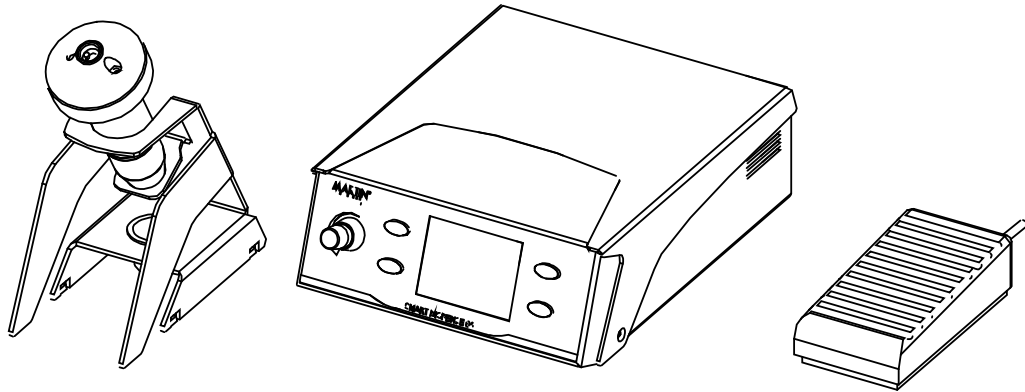


## SMART DISPENSE 06 Set DP

### Manual Dispensing with Heater



#### SD06.0102 SMART DISPENSE 06 Set DP 5

The SMART DISPENSE 06 is a professional dispenser for manual applications that require high accuracy and repeatability. These dispensers also allow heating the dispensing nozzle.

The all-electronic dispensers use dispensing recipes for storing the application parameter. Thus, the dispensing pressure and the nozzle temperature are automatically set as specified after selection of the recipe. A temperature sensor inside the dispensing pen measures the cartridge temperature. The SMART DISPENSE 06 control unit compensates viscosity-change dependent on the material and determines the optimum parameter to guarantee a stable dispensing result. The dispensing recipes can easily be adjusted to new materials and applications, which provides maximum process control to the user. Temperature insulated dispensing pens are available for common cartridge sizes in order to avoid material heating when dispensing by the user. In use of high viscous material viscosity-setting is possible by means of an optional integrated nozzle heater inside the dispensing pen. 1K material from liquid to pasty can also be processed reliably. In use of low viscous material formation of drops on the dispensing needle is avoided by means of manual retain vacuum.

Dispensing programs are created, optimized and managed well-arranged on the PC using the software CLEVER DISPENSE Pro.

#### Standard Equipment

- Control Unit SMART DISPENSE 06
- Dispensing Pen (size to choice) with integrated Temperature Sensor and Connecting Cable (1.5m)
- Stand for Dispensing Pen, Foot Switch, Needle Set (27pcs)
- Pneumatic Hose (d=6mm, l=5m)
- Power Supply 90–230 V AC -> 24V DC
- PC-Software CLEVER DISPENSE Pro
- USB Cable
- Short Instruction

#### Technical Data


Cartridges to use:	3, 5, 10, 30 ccm	
Viscosity Range:	0.1-10 <sup>5</sup> mPas	
Nozzle Heater:	50°C max. Prepared in Control Unit	
Dot Dispense Settings:	Time Range:	0.01 s - 2 s (±0.0005s)
	Pressure Range:	0.2 bar – 4,5 bar
	Repeatability :	5 % (Pressure Pulse)
	Smallest dispensing volume:	2nl
Line Dispense Settings:	Time Range	0.1 s - 30 s
	Pressure Level:	0,2 - 3,5bar
Communication:	USB 2 (Typ B)	
Weight / Size:	1.5 kg max.	192 x 152 x 60 mm <sup>3</sup>

#### Options

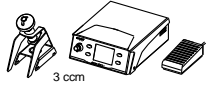

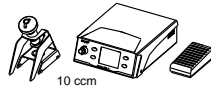
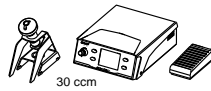
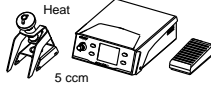
Manual Vacuum Control:	Manually adjustable	Nozzle Heater:	Optional
------------------------	---------------------	----------------	----------

# SMART DISPENSE 06 Set DP – Manual Dispensing with Heater





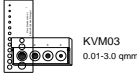
## Basic Unit

SD06.0001	SMART DISPENSE 06 control unit only (without power supply)	
-----------	---	---

## Complete Sets

SD06.0101	SMART DISPENSE 06 Set DP 3 foot switch, pen 3ccm, stand	
SD06.0102	SMART DISPENSE 06 Set DP 5 foot switch, pen 5ccm, stand	
SD06.0103	SMART DISPENSE 06 Set DP 10 foot switch, pen 10ccm, stand	
SD06.0104	SMART DISPENSE 06 Set DP 30 foot switch, pen 30ccm, stand	
SD06.0202	SMART DISPENSE 06 Set DP 5 foot switch, heatable pen 5ccm, stand	

## Optional Extras

PD80.1012	Dispensing pen 5ccm for CD06/SD06 with 7 pin plug  Dispensing pens for cartridge size 3ccm, 10ccm, 30ccm and 55ccm are available	
PD60.1012	Dispensing pen 5ccm with heating for CD06/SD06, 7 pin plug  Dispensing pens with heating for cartridge size 3ccm, 10ccm, 30ccm on request	
PD10.0012	Stand for dispensing pen for 3 & 5 ccm cartridges CD06/SD06  Stand for dispensing pens for cartridge size 10ccm and 30ccm are available	
SD06.0050	Vacuum module SD06 for thin fluids	
HT00.0002	Adhesive Volume Meter KVM 03 measuring range 0,01-3,0cmm	

Further units and consumables under [www.martin-smt.de](http://www.martin-smt.de)